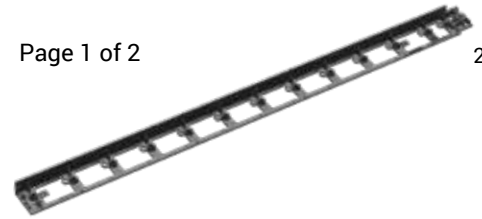




CASASCAPES EDGE COMPACT 4L
TDS Revision Date (dd/mm/yyyy): 04/06/2020



TECHNICAL DATA SHEET

Update: June 4, 2020
Make sure you have an updated data sheet on hand.
Canada and U.S. dial **1-855-847-7767** or (450) 624-1611

Description: **CASASCAPES EDGE COMPACT 4L** is made with 100% Polypropylene Copolymer, giving it great strength and flexibility. It can be used as-is for straight applications or easily cut for curved applications. All units interlock together with their built-in connectors and affixed using either 10" nails ensuring structural integrity and maximizing lateral support. Ideal for walkways, paths, alleys and patios for impressive, professional results.

Features:

- Easy to use and quick to install
- Great lateral support
- Makes definition easier for alleys, driveways or sidewalks
- Made with 100% Polypropylene Copolymer for strength and flexibility
- CASASCAPES EDGE COMPACT 4L** can be fastened with Gator Nails

Usage: **CASASCAPES EDGE COMPACT 4L** is an excellent choice to help define alleys, driveways or sidewalks. **CASASCAPES EDGE COMPACT 4L** is designed for straight or curved installation. It is especially easy to use and quick to install.

INSTALLATION INSTRUCTIONS:

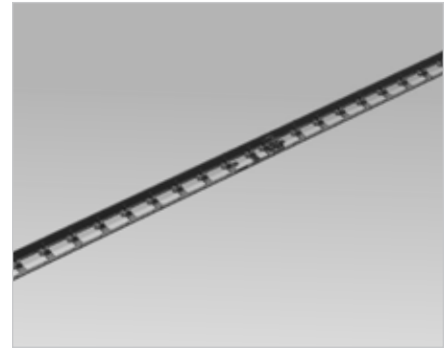
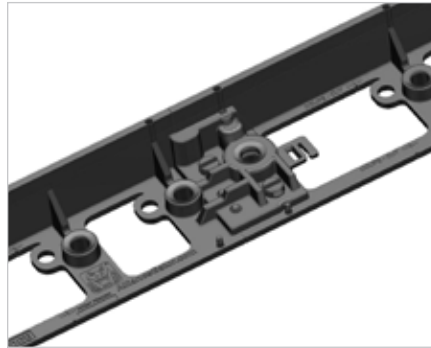
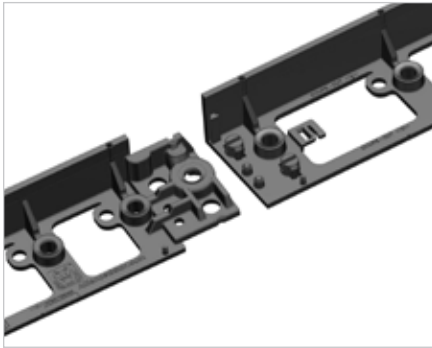
1. It should be installed before the paver installation.
2. Use one 10" nail every second hole for great support strength. Make sure edges are installed on a compacted structural aggregate base.

Packaging: **Product**
CASASCAPES EDGE COMPACT 4L
Twin pack = 8 linear feet
1 bundle = 12 X Twin packs **CASASCAPES EDGE COMPACT 4L** = 96 linear feet
1 skid = 28 X bundles **CASASCAPES EDGE COMPACT 4L** = 2688 linear feet

CASASCAPES EDGE COMPACT 4L
TDS Revision Date (dd/mm/yyyy): 04/06/2020



CASASCAPES EDGE COMPACT 4L CONNECTION INSTRUCTIONS

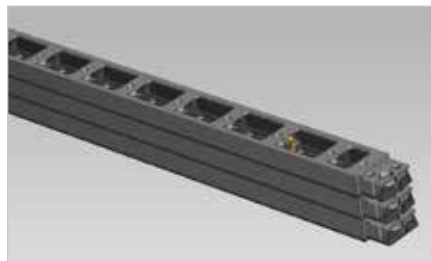
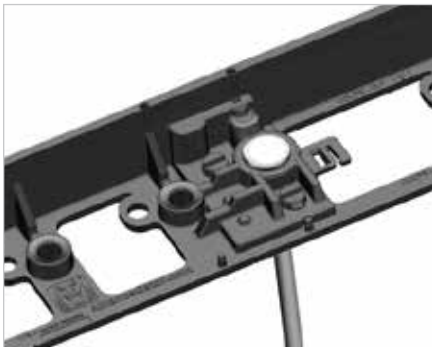


CASASCAPES EDGE COMPACT 4L assembly includes male and female parts for inserting common nails.

Once the male and female pieces are aligned, nails can be inserted for full assembly.

Two separate lengths can be assembled together.

CASASCAPES EDGE COMPACT 4L STRAP ASSEMBLY



Insert common nails to affix **CASASCAPES EDGE COMPACT 4L** to the ground surface.

Six-piece kit assembly.

CASASCAPES EDGE COMPACT 4L CUTTING TECHNIQUE



For a curved section, cut the bridge support at a 45° angle.

An angled cut allows for automatic overlapping.

Curved section from top view.